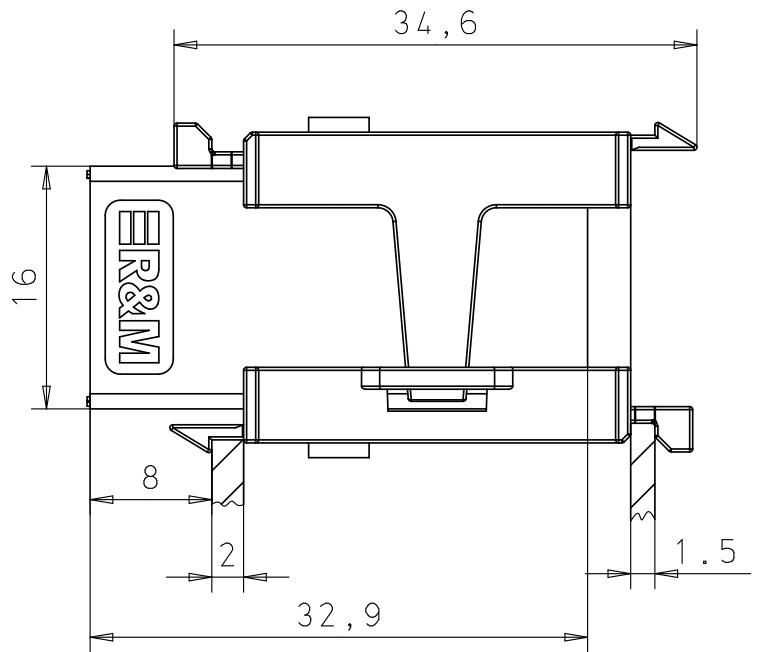
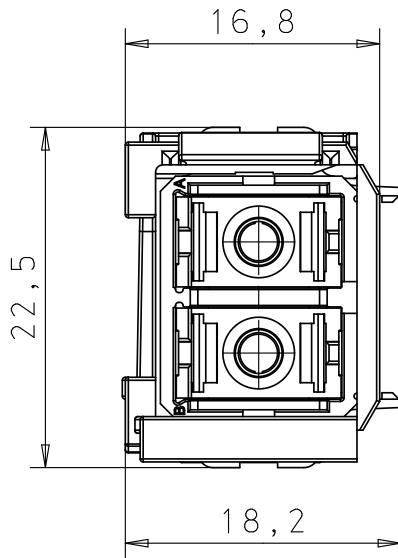
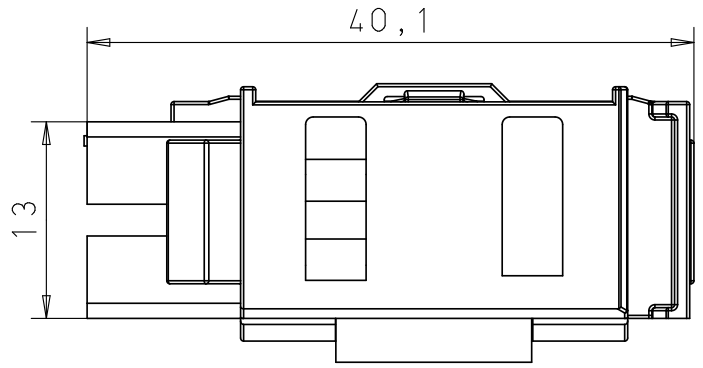
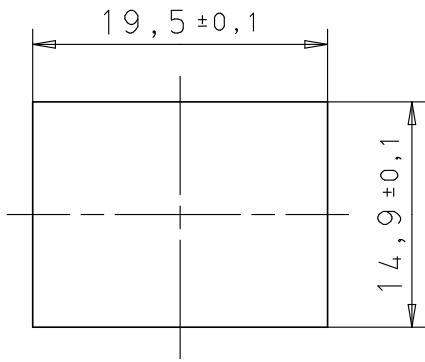
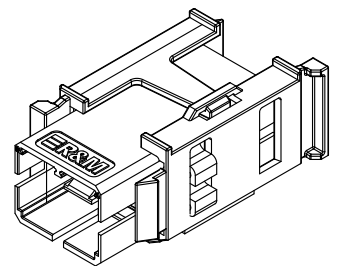



Wall thickness 1.5mm / 2.0mm ±0.2



M1:1



We reserve all rights to this document. The recipient acknowledge this and shall not without our written consent disclose them to any third party and be used for the indicated purpose only.

Material .		Tolerance to .	
Treatm. .		Last CH.	
Colour .		Dok.No ZT 059.	
Note .		Volume .	Repl. for .
Description <i>SC-RJ IP20 Snap In</i>		Scale	Drwgn 28.08.2007 Rh
		2:1	Appr 28.08.2007 Sr
		.	Seen 28.08.2007 Dei
 Reichle & De-Massari AG Binzstrasse 31 CH-8622 Wetzikon Switzerland Telephone +41 44 933 81 11 Telefax +41 44 930 49 41	Type	LWL	Form A4 Pg 1(1)
	Art No .	.	501323-7 Index a Version .