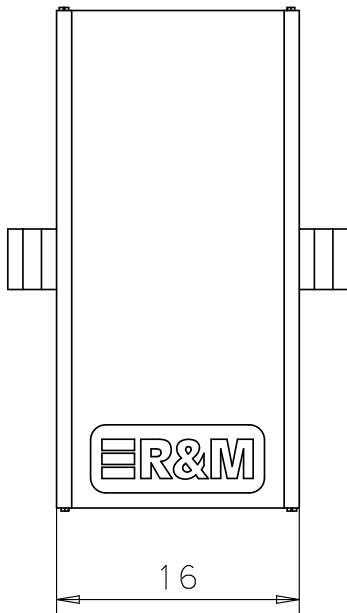
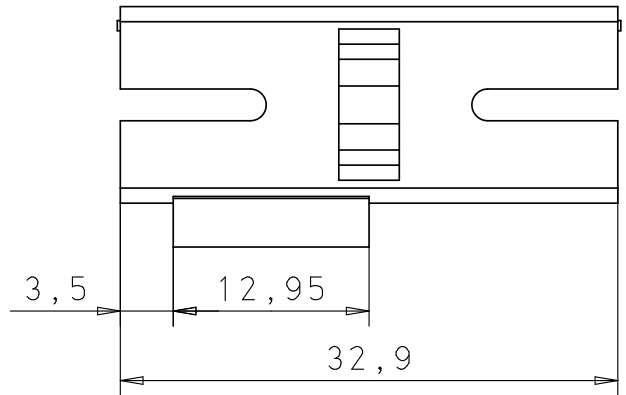
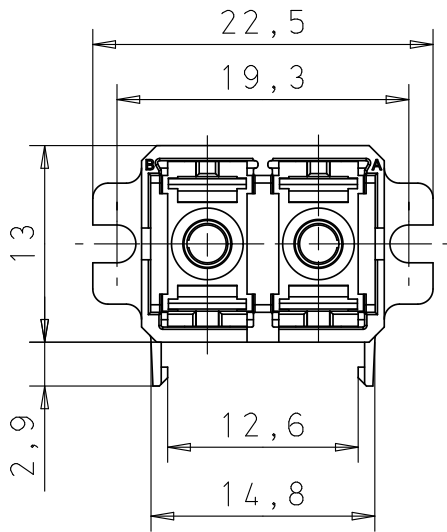
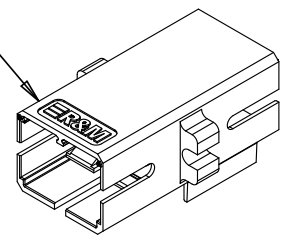



We reserve all rights to this document. The recipient acknowledge this and shall not without our written consent disclose them to any third party and be used for the indicated purpose only.



customer brand M1:1



Material .		Tolerance to .																			
Treatm. .		Last CH.																			
Colour .		Dok.No ZT 059.																			
Note .		Repl. for .																			
Volume .		Scale 2:1																			
Description SC-RJ Adapter		<table border="1"> <tr> <td>Drwgn</td> <td>23.02.2007</td> <td>Rh</td> </tr> <tr> <td>Appr</td> <td>23.02.2007</td> <td>Eo</td> </tr> <tr> <td>Seen</td> <td>23.02.2007</td> <td>Thr</td> </tr> </table>		Drwgn	23.02.2007	Rh	Appr	23.02.2007	Eo	Seen	23.02.2007	Thr									
Drwgn	23.02.2007	Rh																			
Appr	23.02.2007	Eo																			
Seen	23.02.2007	Thr																			
 Reichle & De-Massari AG Binzstrasse 31 CH-8622 Wetzikon Switzerland Telephone +41 44 933 81 11 Telefax +41 44 930 49 41		<table border="1"> <tr> <td>Type</td> <td>LWL</td> <td>Form</td> <td>A4</td> <td>Pg</td> <td>1(1)</td> </tr> <tr> <td>Art No</td> <td>.</td> <td colspan="2">70678-7</td> <td>Index</td> <td>Version</td> </tr> <tr> <td colspan="2"></td> <td colspan="2"></td> <td>a</td> <td>.</td> </tr> </table>		Type	LWL	Form	A4	Pg	1(1)	Art No	.	70678-7		Index	Version					a	.
Type	LWL	Form	A4	Pg	1(1)																
Art No	.	70678-7		Index	Version																
				a	.																