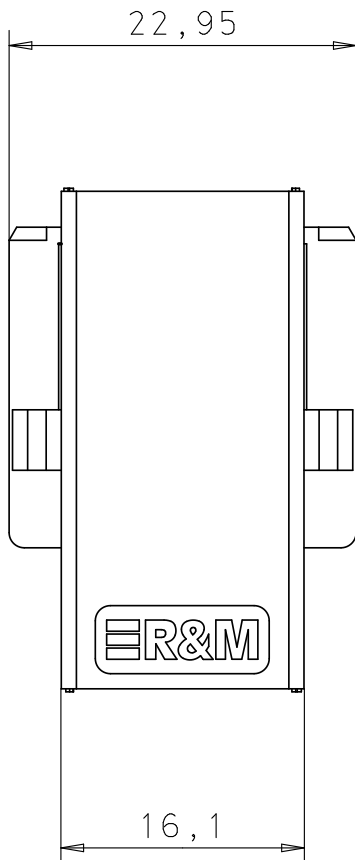
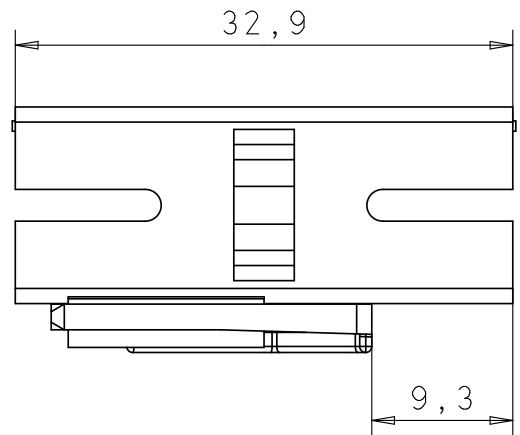
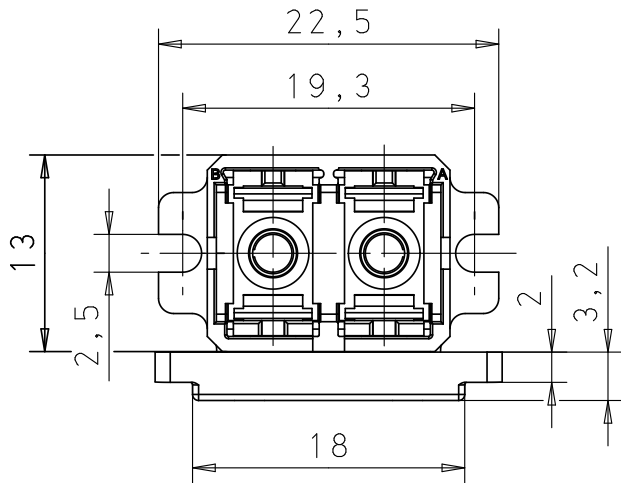
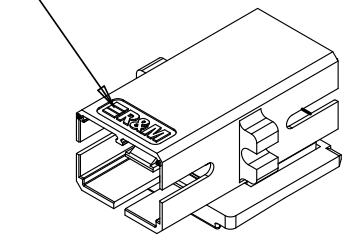



We reserve all rights to this document. The recipient acknowledge this and shall not without our written consent disclose them to any third party and be used for the indicated purpose only.



customer brand M1:1



Material		Tolerance to	
Treatm.		Last CH.	
Colour		Dok.No	
Note		Repl. for	
Weight		ZT 059..	
Description <i>SC-RJ IP67 1 Channel</i>		Scale	2:1
		Drwgn	23.02.2007 Rh
		Appr	23.02.2007 Eo
 Reichle & De-Massari AG Binzstrasse 31 CH-8622 Wetzikon Switzerland Telephone +41 44 933 81 11 Telefax +41 44 930 49 41		Seen	23.02.2007 Thr
		Form	A4 Pg 1(1)
		Art No	70679-7
		Index	a
		Version	