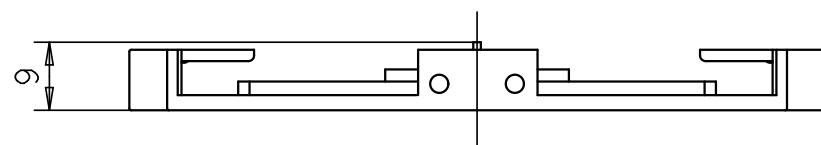
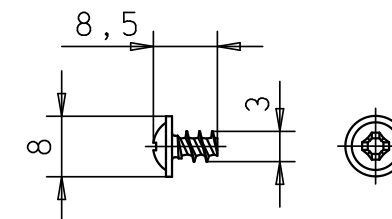
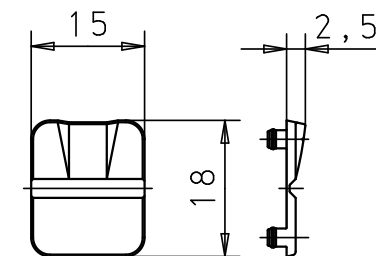
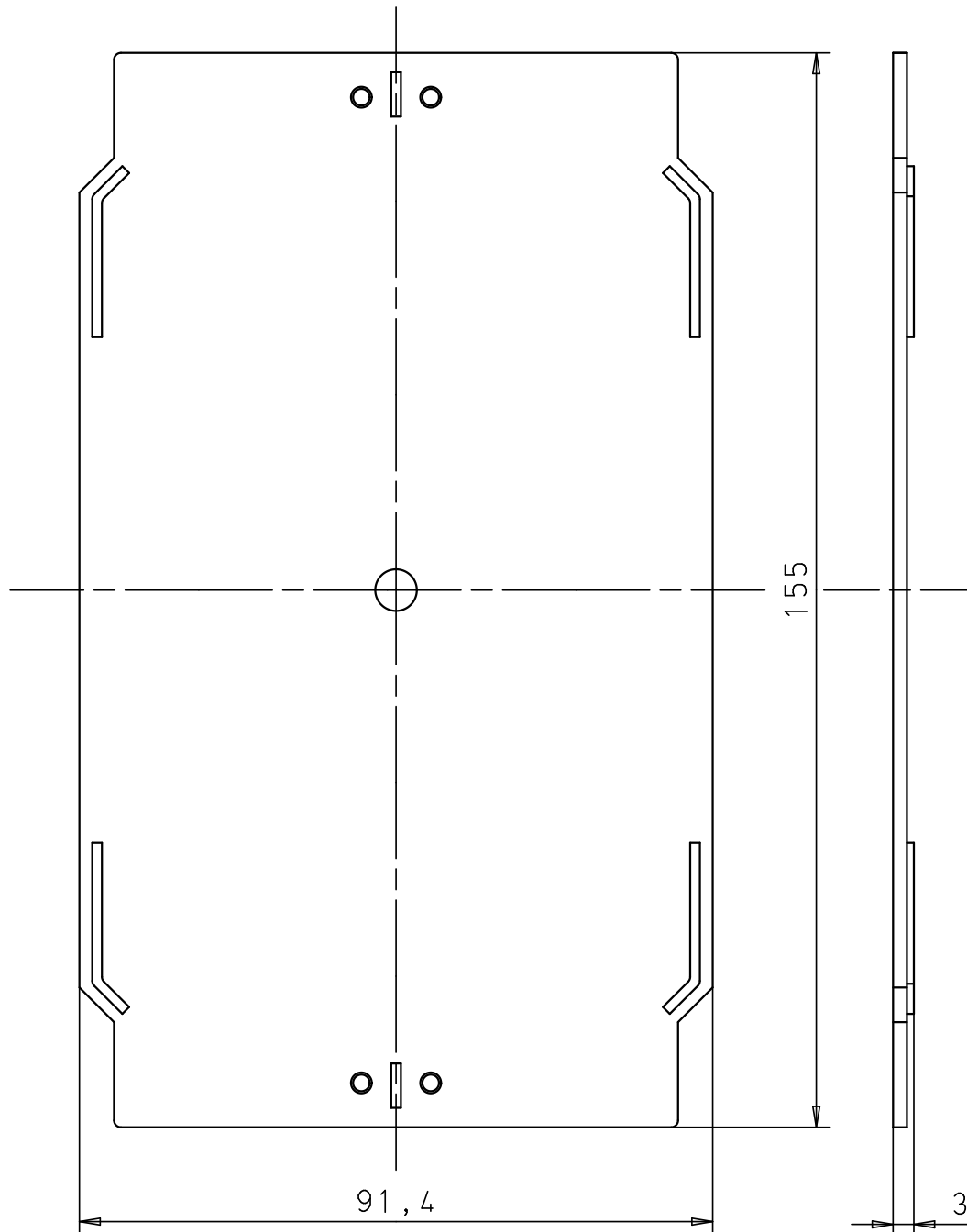
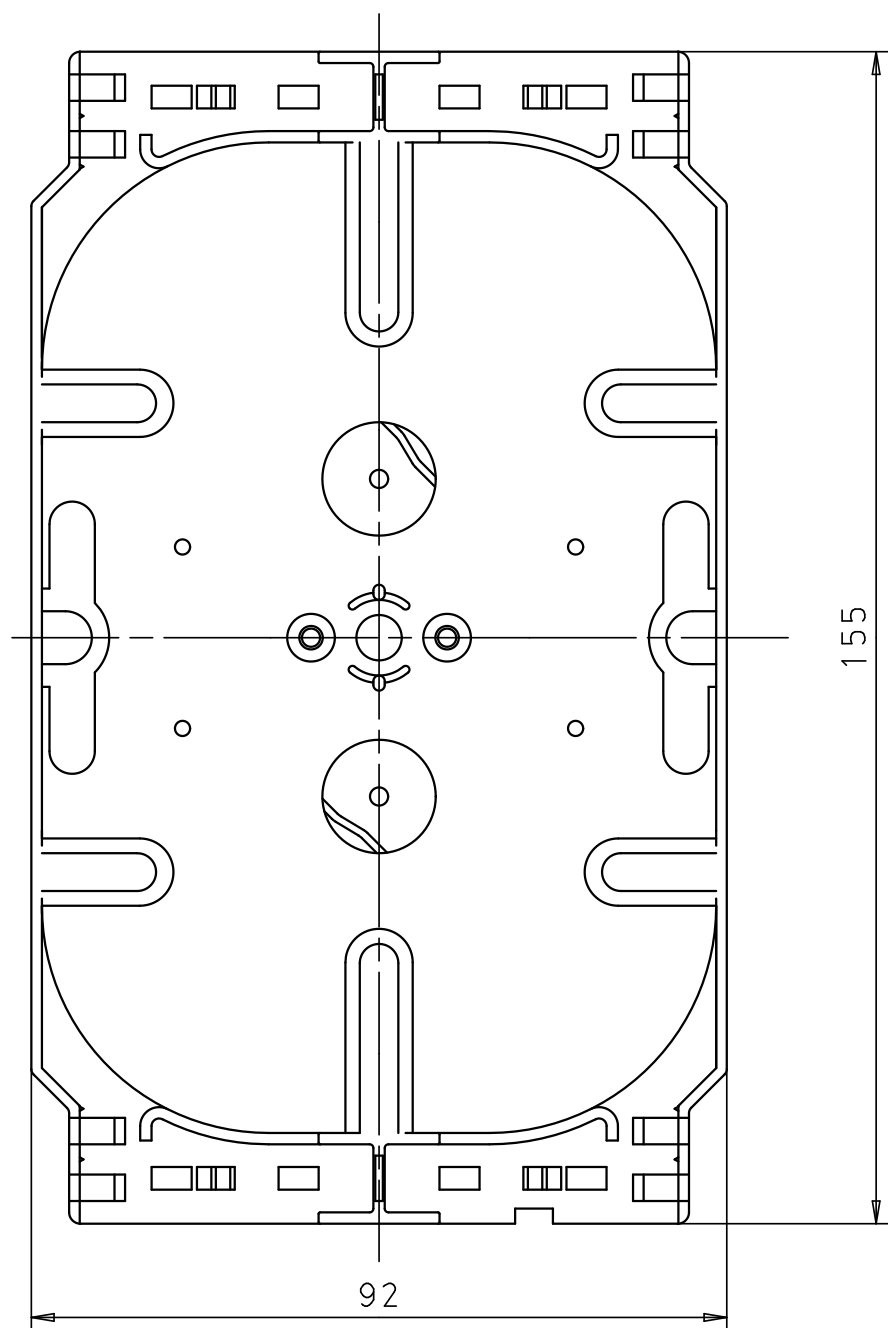


We reserve all rights to this document. The recipient acknowledges this and shall not without our written consent disclose them to any third party and be used for the indicated purpose only.

c

b

a



Material		Tolerance to	
Treatm.		Last CH.	
Colour		Dok.No ZT 059.	
Note		Weight	Repl. for
Description <i>Splice tray basic set</i>		Scale	Drwgn 11.02.2002 Mro
			Appr 20.02.2002 Kb
			Seen 20.02.2002 Kb
Reichle & De-Massari AG Binzstrasse 31 CH-8622 Metzikon Switzerland Telephone +41 1 933 81 11 Telefax +41 1 930 49 41		Type LWL	Form A3 Pg 1(1)
		Art No R30393	Index Version 70339-7 a
		2D-Drawing	