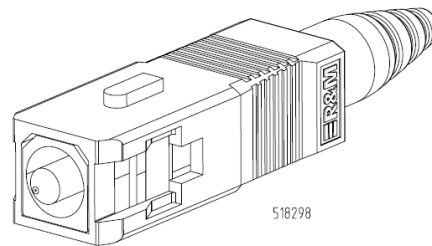
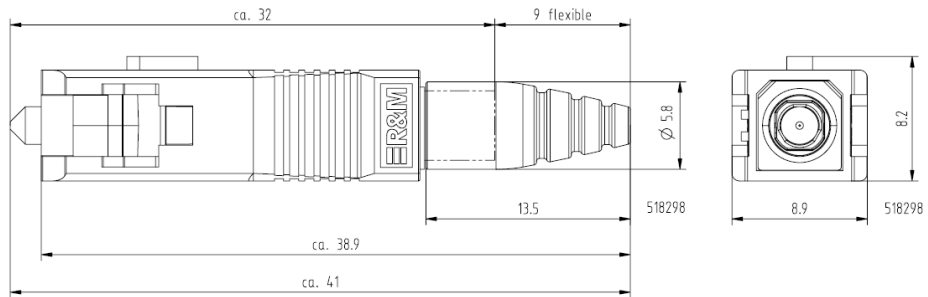
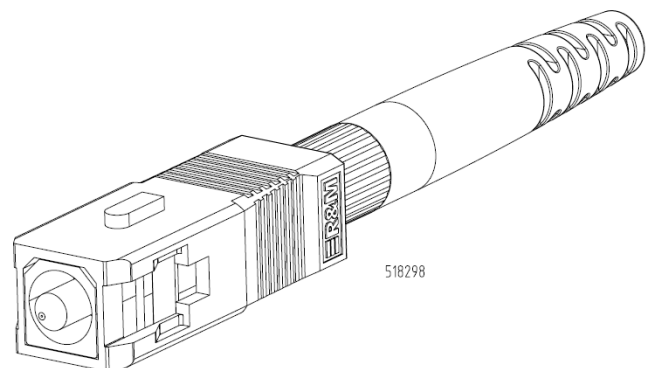
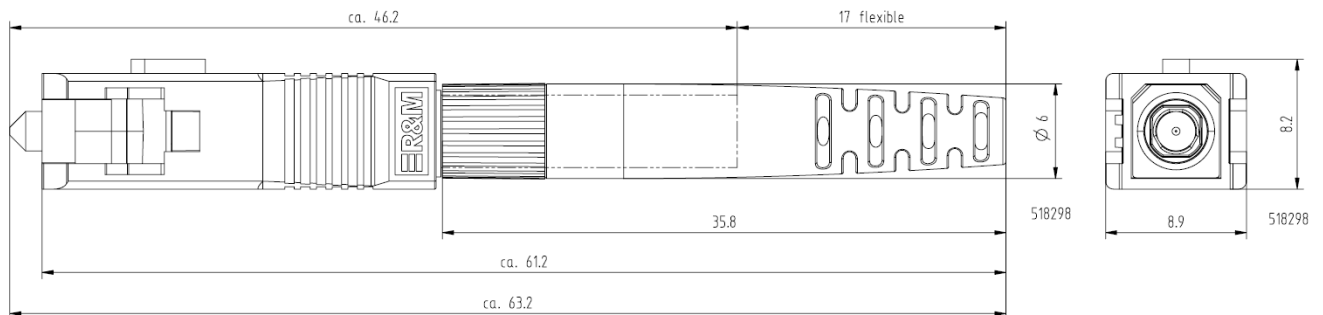

	Connector-SCfield-customer drawing			Item Number:	
	Stecker-SCfield-Kundenzeichnung			2000083	
Document status:	EngReleased	Prep:	Date:	Revision:	A
Department:	000	Appr:	Date:	Page:	1/2
Document type:	_07 Customer Drawing-Datasheet				

Pigtail / pigtail

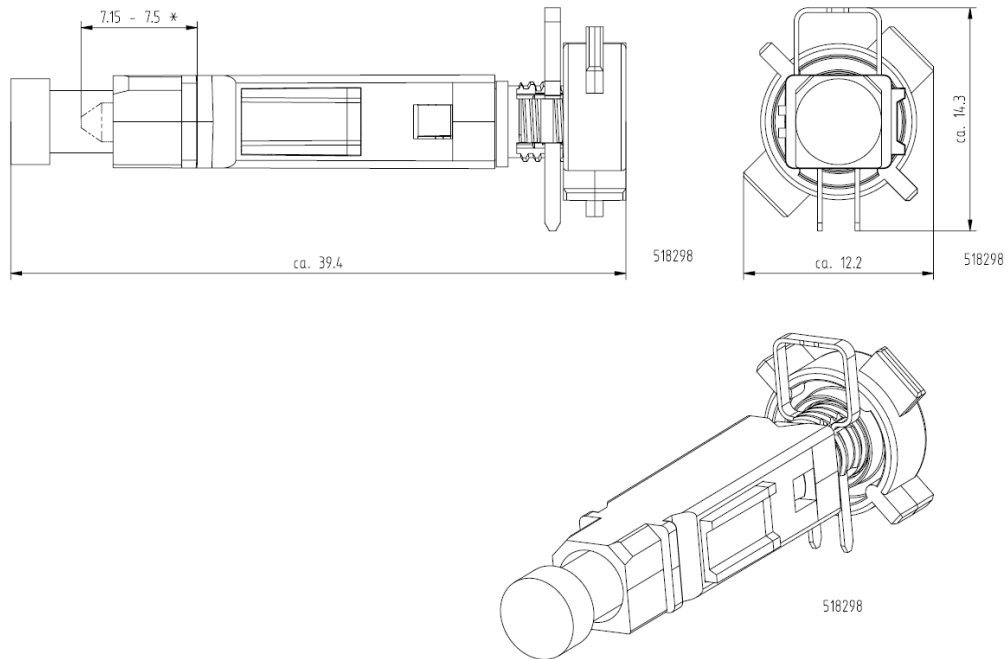


Patch / patch



	Connector-SCfield-customer drawing			Item Number:	
	Stecker-SCfield-Kundenzeichnung			2000083	
Document status:	EngReleased	Prep:	Date:	Revision:	A
Department:	000	Appr:	Date:	Page:	2/2
Document type:	_07 Customer Drawing-Datasheet				

Anlieferungszustand / condition as delivered



Ohne Aussengehäuse / without outer housing

- * Distanz zwischen mechanischer und optischer Bezugsebene (Faserachse)
- * Distance between mechanical and optical reference plane (fibre axis)